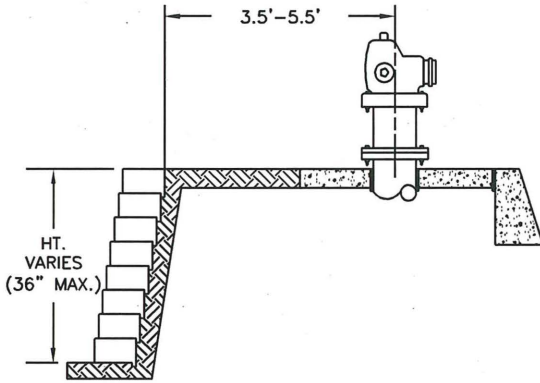
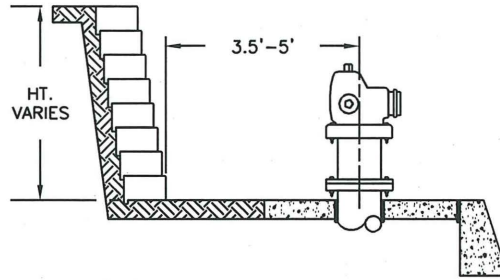


CUT SECTION DETAIL



FILL SECTION DETAIL

NOTES:

1. CONSULT U.B.C. FOR RETAINING WALL CONSTRUCTION REQUIREMENTS.
2. THE AREA WITHIN THE RETAINING WALL BOUNDARIES FROM THE CURB/SIDEWALK TO THE REAR RETAINING WALL SHALL HAVE A MAXIMUM SLOPE OF 1% IN ANY DIRECTION.
3. THE 4'x4' CONCRETE PAD SHALL HAVE A MAXIMUM SLOPE OF 1%.
4. RETAINING WALL SHALL MAINTAIN A MINIMUM RADIUS OF 3.5' AROUND THE HYDRANT

HYDRANT RETAINING WALL

PLAN #



CITY OF BATTLE GROUND  
APPROVED

*Rd W*  
CITY ENGINEER

*4/16/07*  
DATE

REVISIONS:	DATE:	DRAWN:	DESIGNED:
1	4/16/07	JMH	MCH

WA-2.4