



CITY OF BATTLE GROUND  
COMMUNITY DEVELOPMENT DEPARTMENT  
PLANNING DIVISION: (360) 342-5047 / BUILDING DIVISION (360) 342-5046

## **RESIDENTIAL DECK DESIGN CRITERIA AND REVIEW PROCESS**

### **NO PERMIT IS REQUIRED IF THE DECK IS:**

- Under 30" in height from ground to top of deck.
- No property line setbacks apply.

### **Additional Rules Apply:**

- All portions must be even with or behind front building line
- Post height over 9' must be engineered

### **PERMIT IS REQUIRED IF THE DECK IS:**

- Over 30" in height from ground to top of deck.
- Property line setbacks apply. Deck must be:
  - 10 feet from rear and street side property line
  - 5 feet from side yard property line
- You will need to fill out and submit a Residential Building Permit Application
  - Owner's signature required
- You will need to include two sets each:
  - Plot plan
  - Construction Drawings including:
    - Foundation
    - Foundation plan showing location and size of footings and posts
    - Deck framing including dimensions, lumber size, spacing and span
    - Guardrail detail, showing attachment to deck
    - Stair specifications showing dimensions and attachment details.
    - Connections to existing construction
    - Any engineering calculations may be attached to the plans and engineering details incorporated into the plans or cross-referenced on the plans. (Note: post heights over 9 feet must be engineered).

### **APPLICATION FEES:**

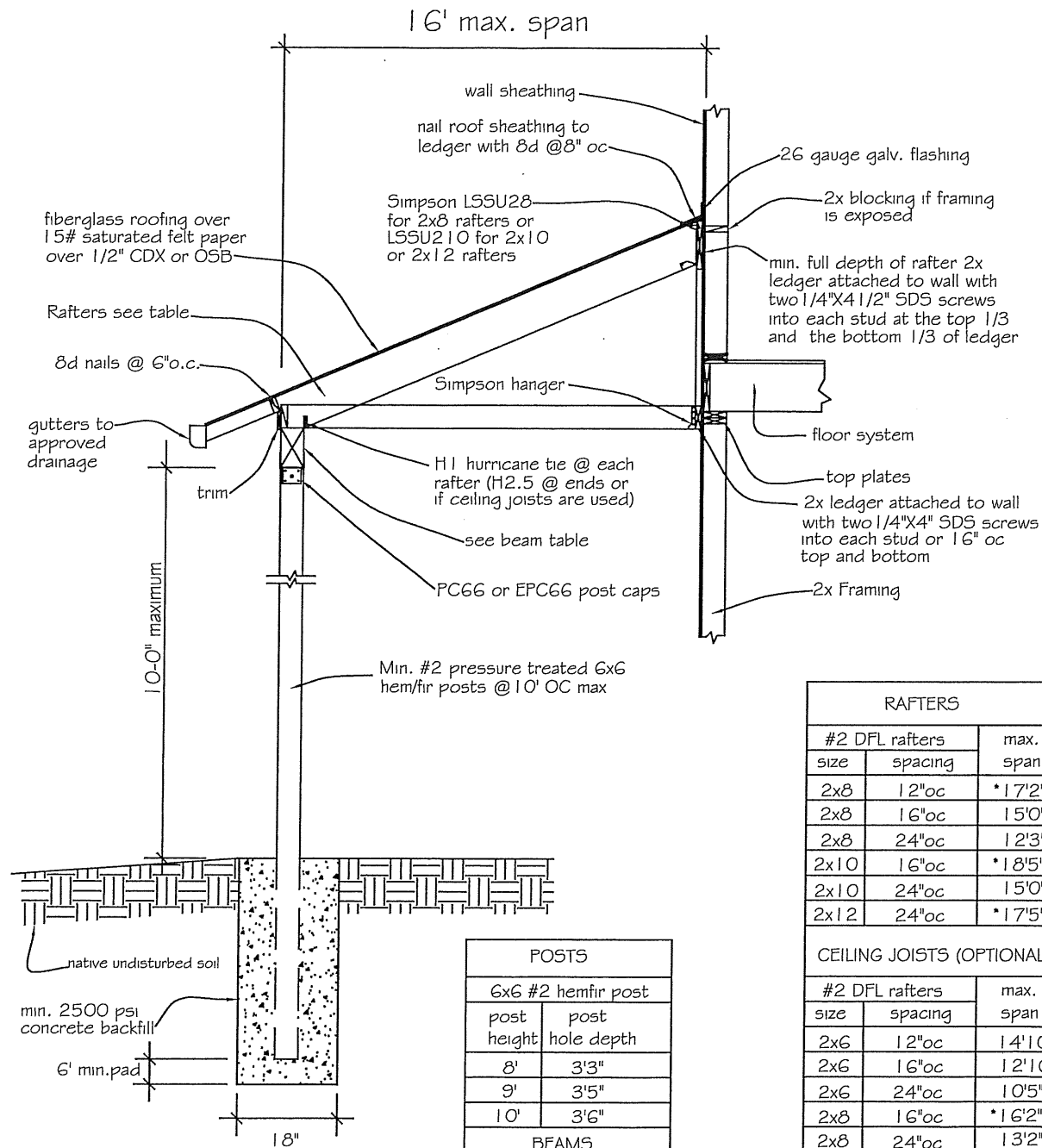
Fees vary; contact the Building Department at (360)342-5047 for estimates.



# Southwest Washington Chapter of ICC

This construction detail is illustrative of the minimum standard of construction based upon the 2006 IRC / WAC 51-51

Visit our web site at: [www.sww-icc.org](http://www.sww-icc.org)



RAFTERS		
#2 DFL rafter size	spacing	max. span
2x8	12"oc	*17'2"
2x8	16"oc	15'0"
2x8	24"oc	12'3"
2x10	16"oc	*18'5"
2x10	24"oc	15'0"
2x12	24"oc	*17'5"

CEILING JOISTS (OPTIONAL)		
#2 DFL rafter size	spacing	max. span
2x6	12"oc	14'10"
2x6	16"oc	12'10"
2x6	24"oc	10'5"
2x8	16"oc	*16'2"
2x8	24"oc	13'2"
2x10	24"oc	*16'2"

\*max. 16'0" roof cover

POSTS	
post height	post hole depth
8'	3'3"
9'	3'5"
10'	3'6"
BEAMS	
max. roof cover size	min. #2 DFL beam size*
12'0"	6x8
14'0"	6x8
16'0"	6x10

\*max post spacing at 10' oc

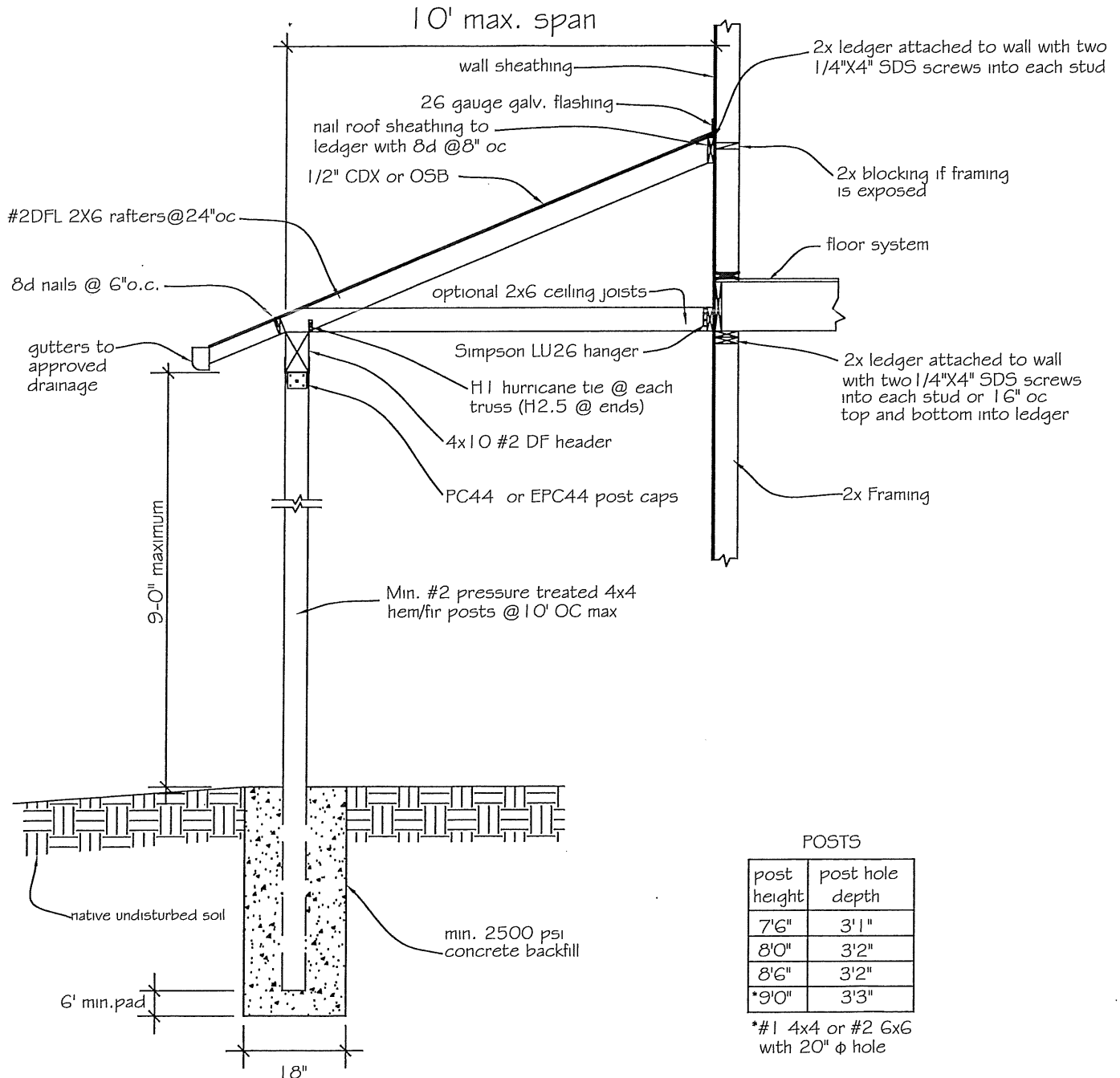
Post Design  
IBC 1805.7



# Southwest Washington Chapter of ICC

This construction detail is illustrative of the minimum standard of construction based upon the 2006 IRC / WAC 51-51

Visit our web site at: [www.sww-icc.org](http://www.sww-icc.org)



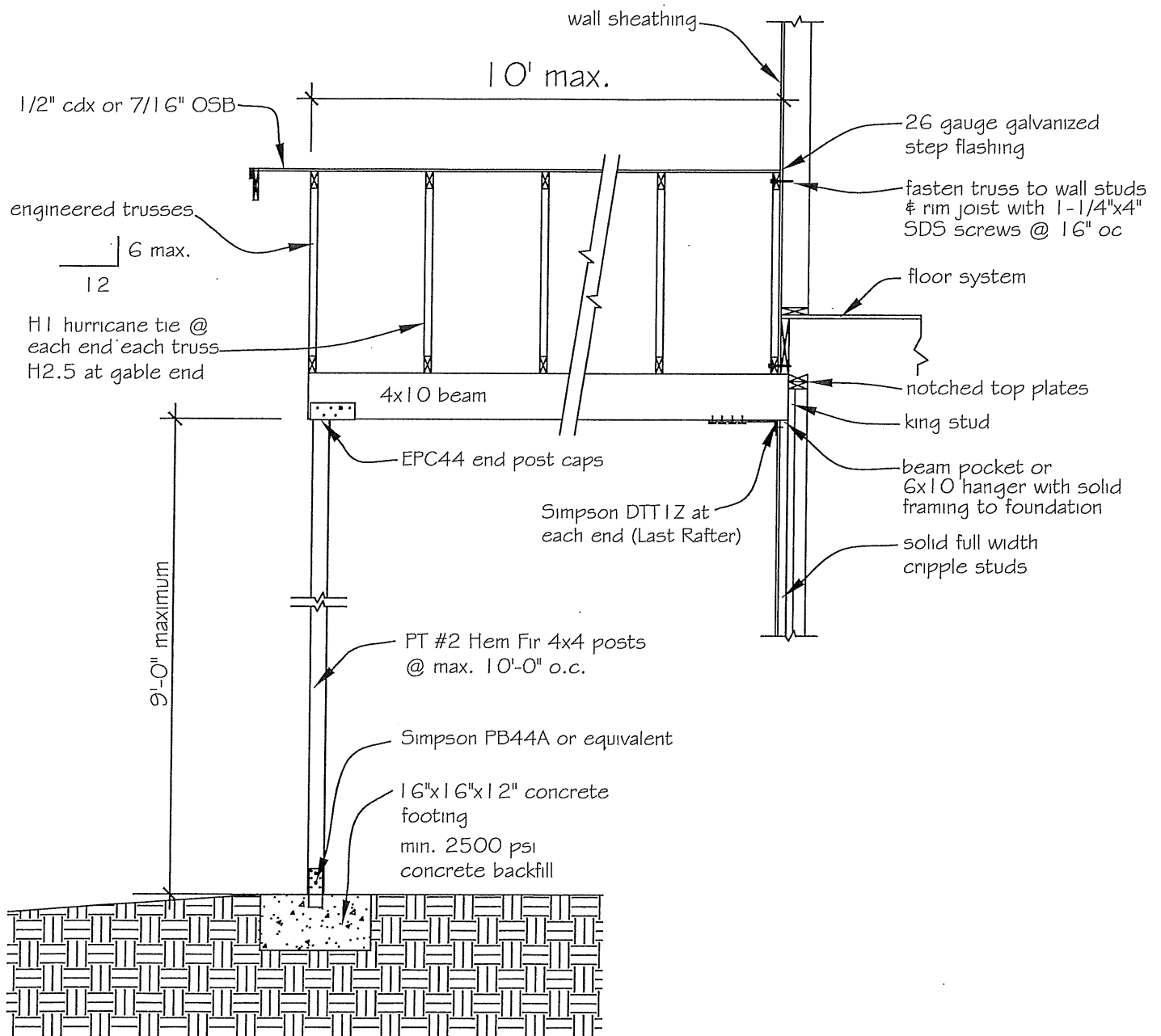
Post Design  
IBC 1805.7



# Southwest Washington Chapter of ICC

This construction detail is illustrative of the minimum standard of construction based upon the 2015 IRC / WAC 51-51

Visit our web site at: [www.sww-icc.org](http://www.sww-icc.org)

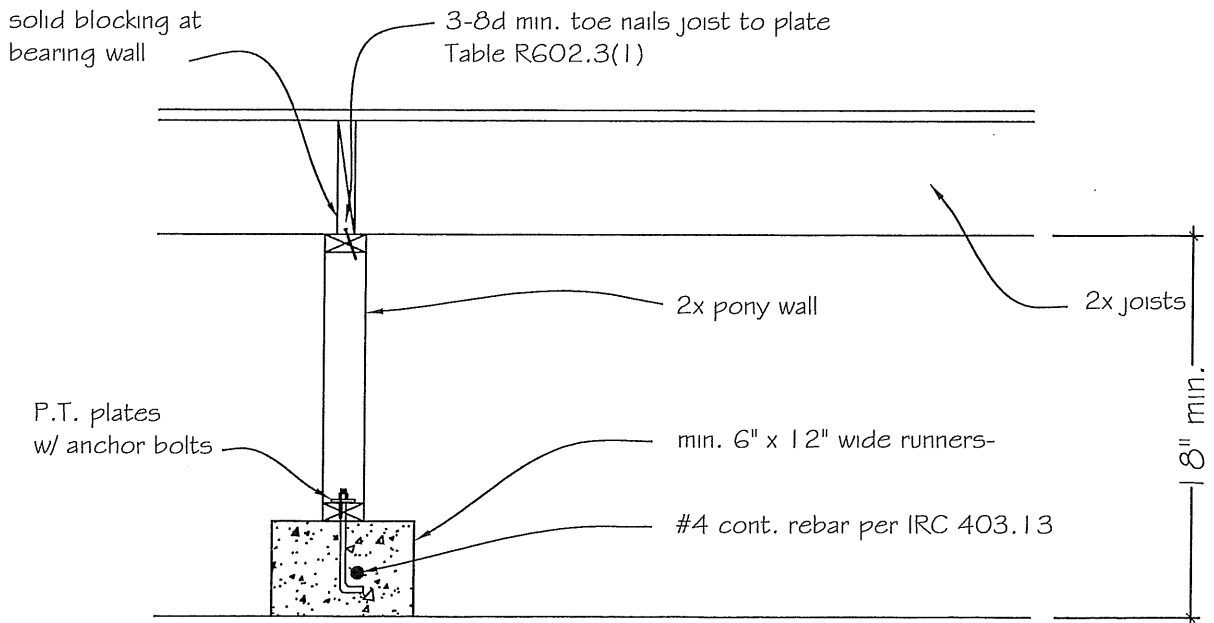
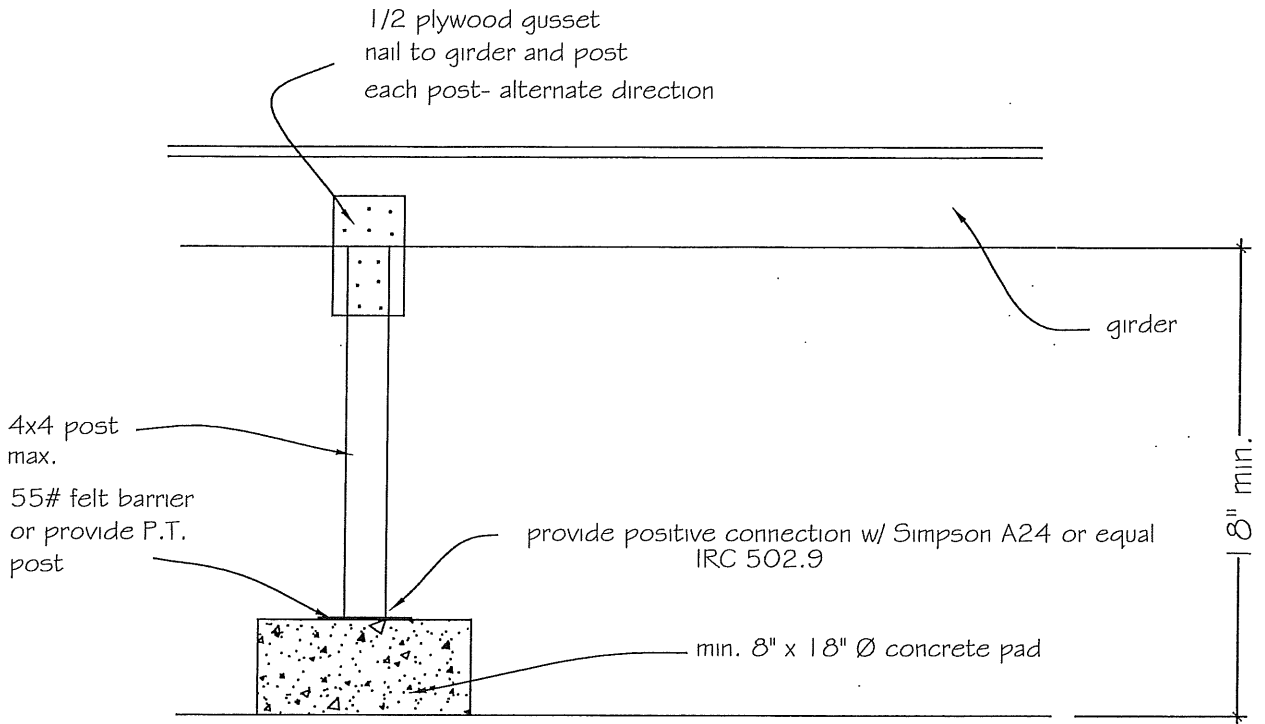




# Southwest Washington Chapter of ICC

This construction detail is illustrative of the minimum standard of construction based upon the 2012 IBC / WAC 51-51

Visit our web site at: [www.sww-icc.org](http://www.sww-icc.org)

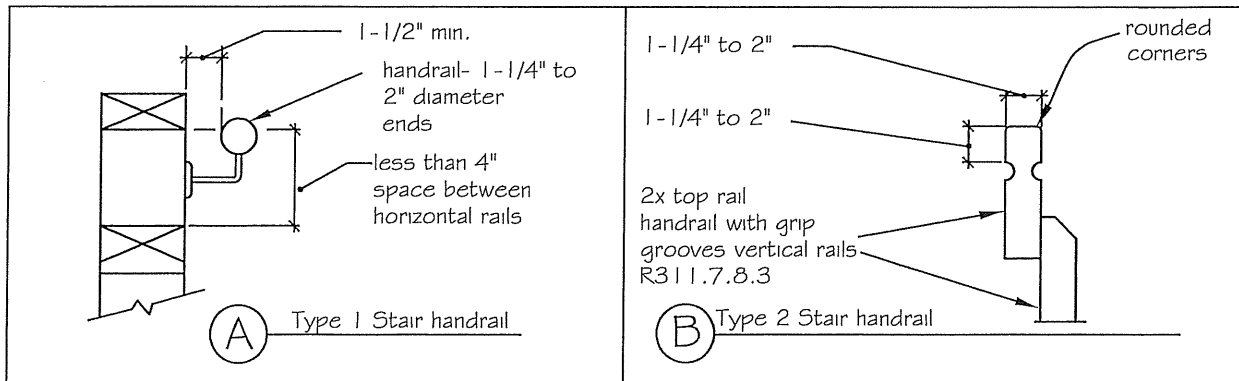
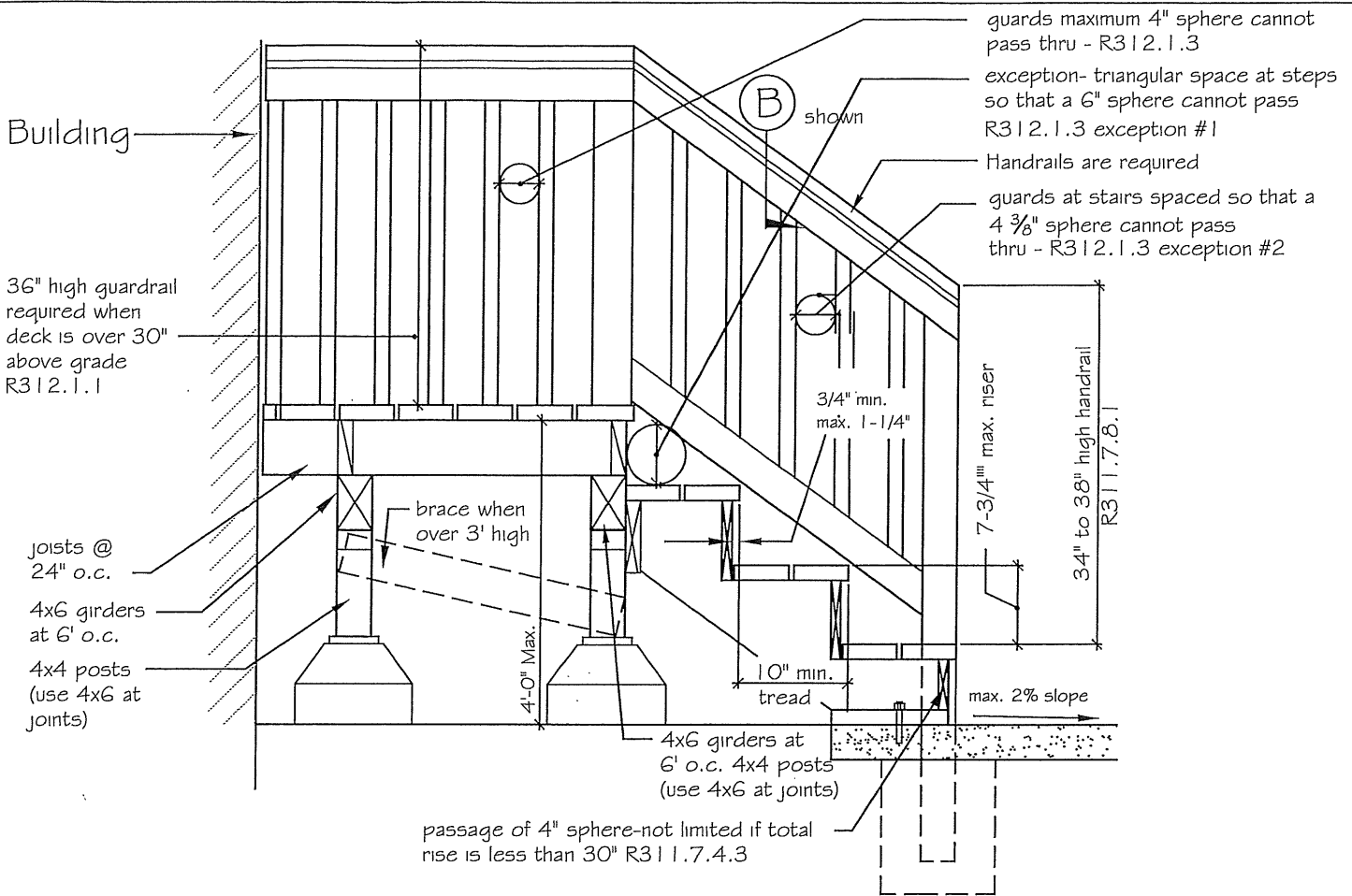




# Southwest Washington Chapter of ICC

This construction detail is illustrative of the minimum standard of construction based upon the 2012 IRC / WAC 51-51

Visit our web site at: [www.sww-icc.org](http://www.sww-icc.org)



1. Landing and stair illumination is required per R303.7.
2. For glazing in guards and railings see R308.4.4.
3. Minimum 3'x3' landing at all exterior doors R311.3.
4. Minimum 36" wide stairs R311.7.1.
5. Handrails shall be provided on at least one side of each continuous run of treads or flight with four or more risers. R311.7.8.
6. All exterior decks exposed to the weather must be protected from decay and shall be by use of naturally durable wood or wood that is preservative-treated in accordance with AWPA U1 for the species, product, preservative and end use. Preservatives shall be listed in Section 4 of AWPA U1. See residential decks details for decks over 4'-0" high.
7. Handrail ends shall be returned or terminated in newel posts or safety terminals R311.7.8.2.
8. If deck is attached to house, footings must meet frost protection requirements. See detail MSC-8



# Southwest Washington Chapter of ICC

This construction detail is illustrative of the minimum standard of construction based upon the 2015 IRC / WAC 51-50

Visit our web site at: [www.sww-icc.org](http://www.sww-icc.org)

## Handrail for stairway and ramps

### R311.7.8. Handrails

Handrails shall be provided on at least one side of each continuous run of treads or flight with four or more risers.

#### R311.7.8.1 Height

Handrail height, measured vertically from the sloped plane adjoining the tread nosing, or finish surface of ramp slope, shall be not less than 34 inches and not more than 38 inches.

#### R311.7.8.2 Continuity

Handrail-gripping surfaces shall be continuous for the full length of the flight, from a point directly above the top riser of the flight to a point directly above the lowest riser of the flight. Handrail ends shall be returned or shall terminate in newel posts or safety terminals. Handrails adjacent to a wall shall have a space of not less than 1/2 inch between the wall and the handrails.

#### R311.7.8.3 Grip-size

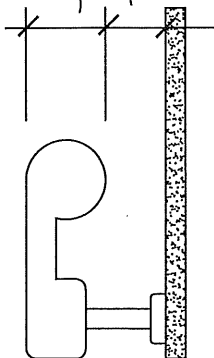
All required handrails shall be of one of the following types or provide equivalent graspability.

Type I. Handrails with a circular cross section shall have an outside diameter of at least 1 1/4 inches and not greater than 2 inches. If the handrail is not circular, it shall have a perimeter dimension of at least 4 inches and not greater than 6 1/4 inches with a maximum cross section of dimension of 2 1/4". Edges shall have a minimum radius of 0.01 inch.

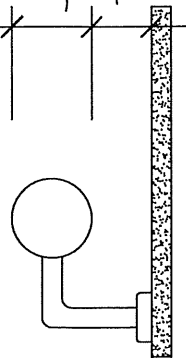
Type II. Handrails with a perimeter greater than 6 1/4 inches shall have a graspable finger recess on both sides of the profile. The finger recess shall begin within a distance of 3/4 inch measured vertically from the tallest portion of the profile and achieve a depth of at least 5/16 inch within 7/8 inch below the widest portion of the profile. This required depth shall continue for at least 3/8 inch to a level that is not less than 1 3/4 inches below the tallest portion of the profile. The minimum width of the handrail above the recess shall be 1 1/4 inches to maximum of 2 3/4 inches. Edges shall have a minimum radius of 0.01 inch.

Not acceptable

1 1/4" min. to 2" max. 1/2" min.



1 1/4" min. to 2" max. 1/2" min.



1 1/4" min. to 2 3/4" max. 1/2" min.

