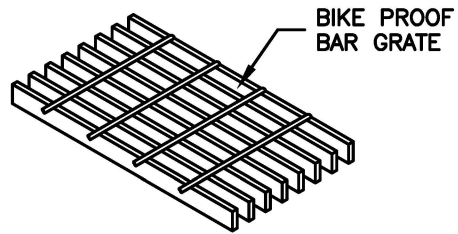
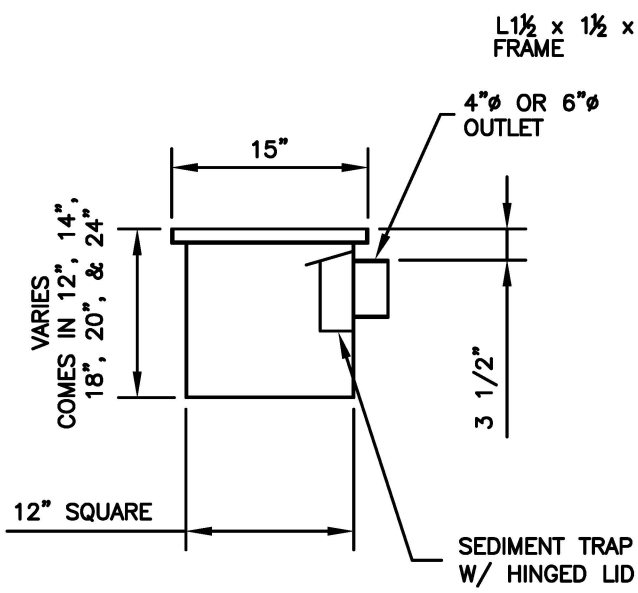


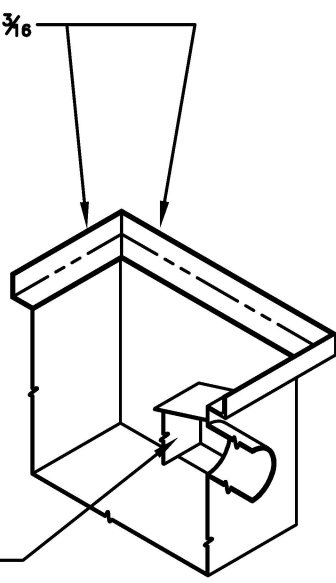
PLAN VIEW



GRATING



SIDE VIEW



ISOMETRIC SECTION

STATE APPROVED - ASPHALT DIPPED

NOTES:

1. THIS CATCH BASIN CAN BE USED IN AREAS OUTSIDE RIGHT OF WAY AND TRAVELED WAY OR AS APPROVED BY CITY ENGINEER.
2. BOX FABRICATED FROM 10 GA. MATERIAL

N.T.S.

CATCH BASIN (STEEL)

STANDARD
DETAIL



CITY OF BATTLE GROUND
APPROVED

Mark Henney

06/11/2018

CITY ENGINEER

DATE

REVISIONS:	DATE:	DRAWN:	DESIGNED:
1	7/22/09	RMJ	RMJ
2	4/7/17	CAS	KDU

ST-3.03