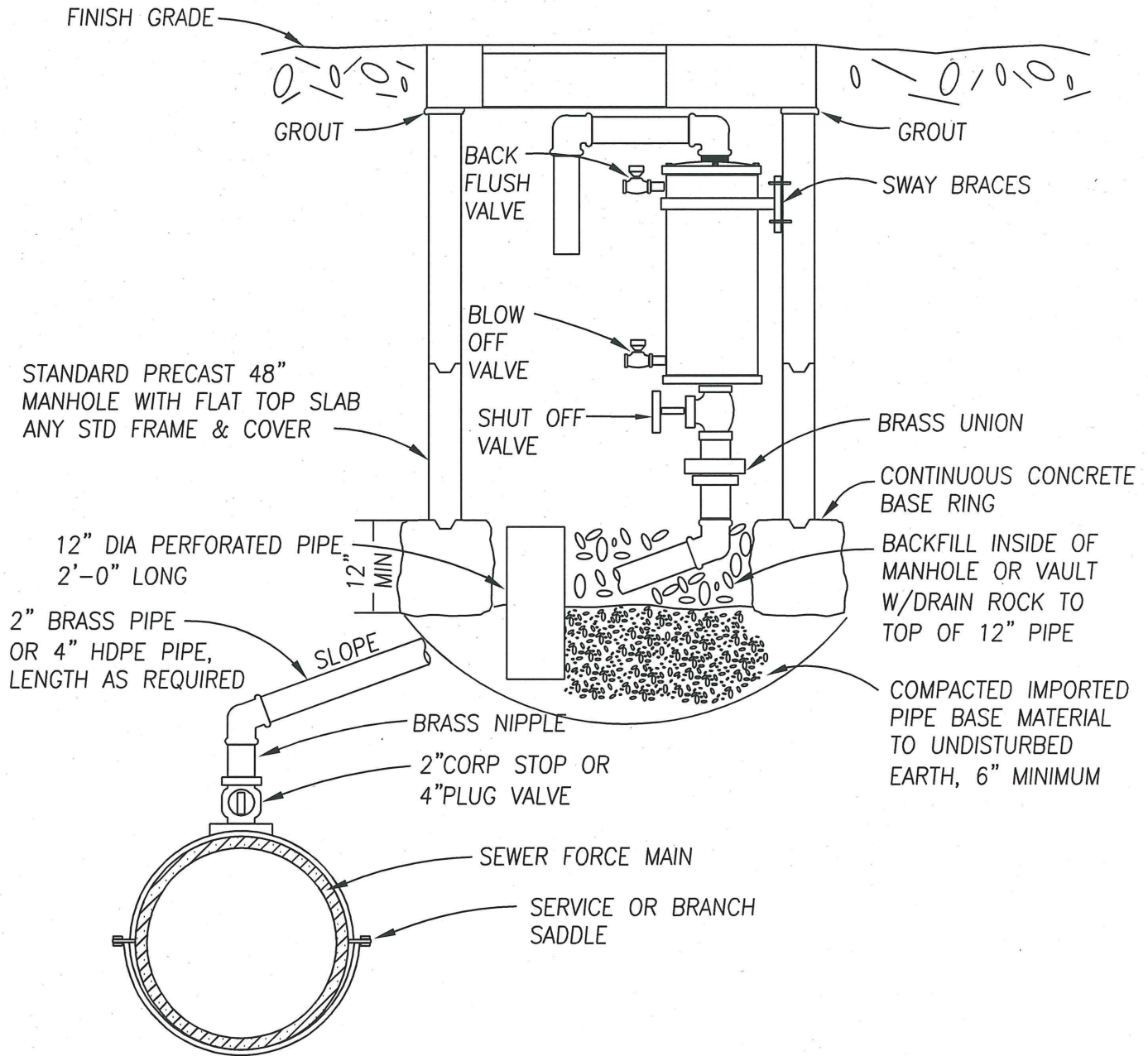
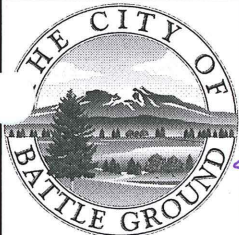


N:\CAD Data\ARCHIVE\standard dwgs\2006\Sanitary Sewer Details\leftovers\SS-5.4\_Air Release Valve.dwg, 3/29/2007 8:43:37 AM, 8.5" x 11"



## AIR RELEASE VALVE

PLAN #



CITY OF BATTLE GROUND  
APPROVED

*[Signature]*  
CITY ENGINEER

3-29-07  
DATE

REVISIONS:	DATE:	DRAWN:	DESIGNED:
1	12/9/06	JMH	MCH

SS-5.4