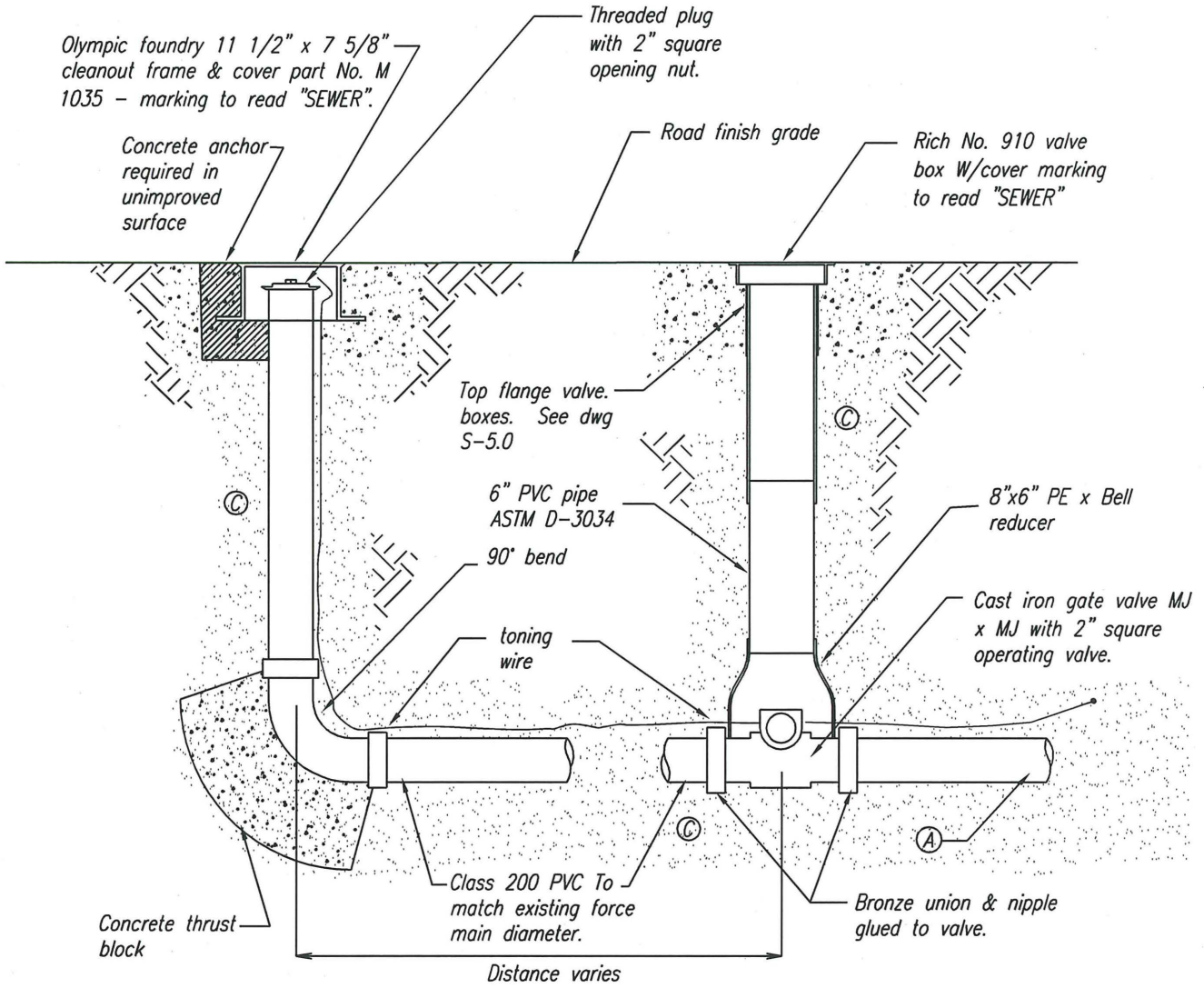


N:\CAD Data\Standard Dwg\Sanitary Sewer Details\SS-5.2\_Typical Pressure Cleanout.dwg, 3/28/2007 2:12:24 PM



NOTES:

- (A) MJ x MJ x MJ Wye or MJ x MY sleeve.
- (B) Concrete shall be 3,000 P.S.I.
- (C) Bedding and backfill to conform with class of bedding and type of backfill specified for sewer line extension.

NTS

TYPICAL PRESSURE CLEANOUT

PLAN #



CITY OF BATTLE GROUND  
APPROVED

*[Signature]*  
CITY ENGINEER

DATE

REVISIONS:	DATE:	DRAWN:	DESIGNED:
1	3/28/07	JMH	MCH

SS-5.2