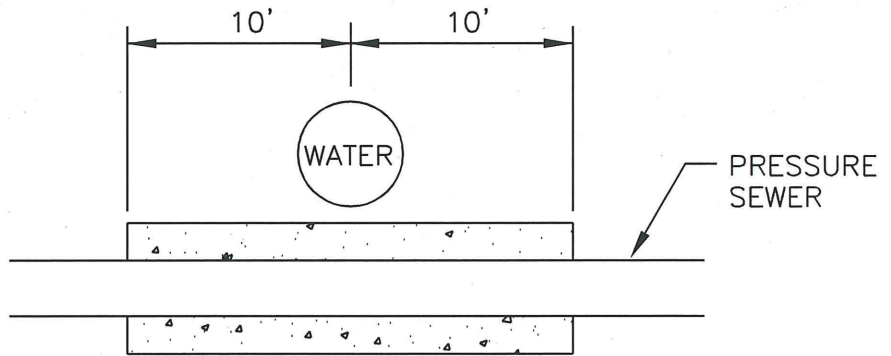
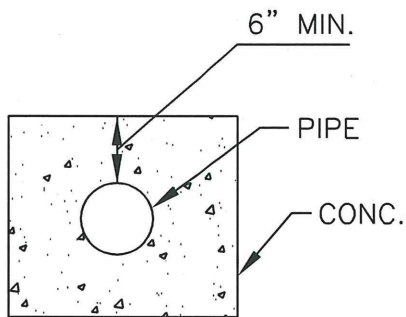
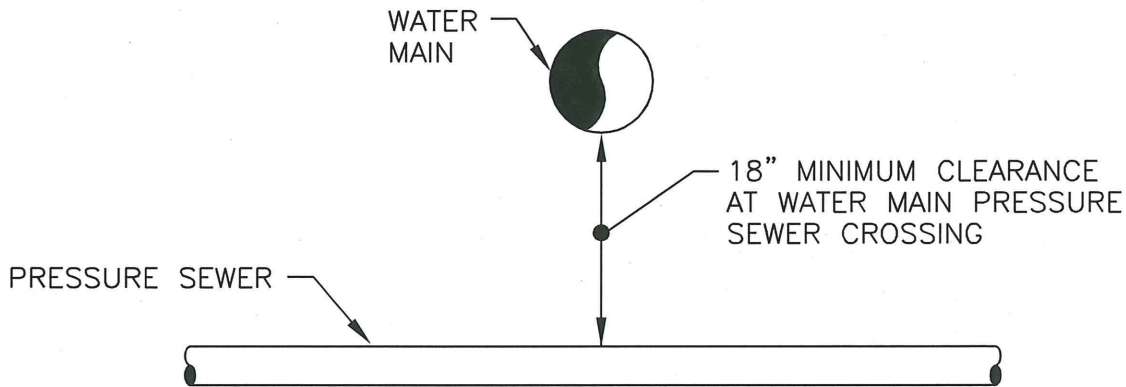


N:\CAD Data\Standard Dwgs\Sanitary Sewer Details\SS-1.6_Water-San-Crossing.dwg-3/28/2007 2:38:23 PM



CASING-CLASS 200
P.V.C. 20' LENGTH
BOTH ENDS PLUGGED.
OR 6" CONC.



TYP. WATER MAIN/SANITARY CROSSING

PLAN #



CITY OF BATTLE GROUND
APPROVED

Sam Johnson 3-29-07
CITY ENGINEER DATE

REVISIONS:	DATE:	DRAWN:	DESIGNED:
2	3/28/07	ALL	MCH

SS-4.5