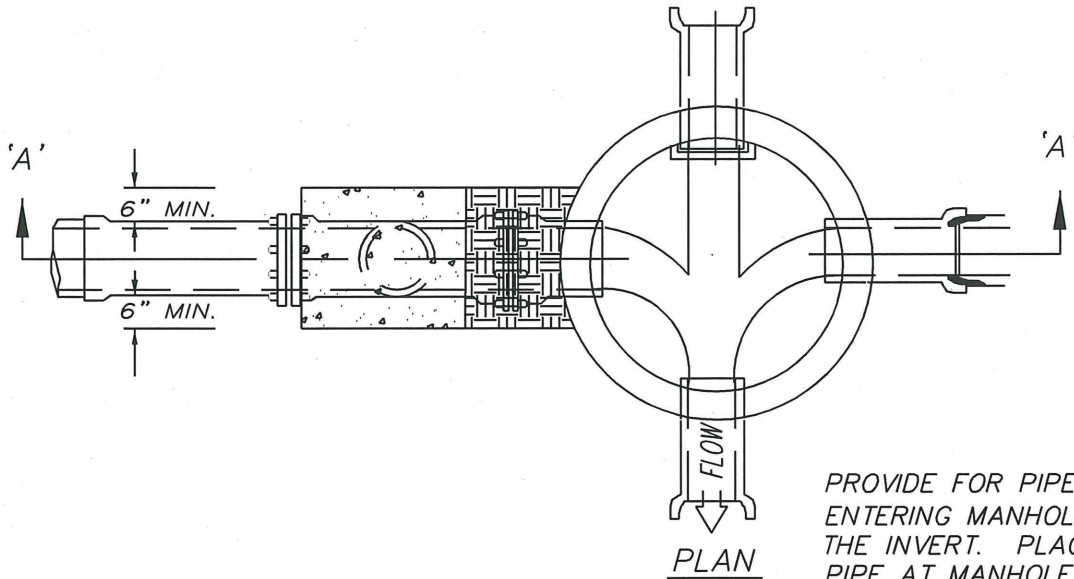
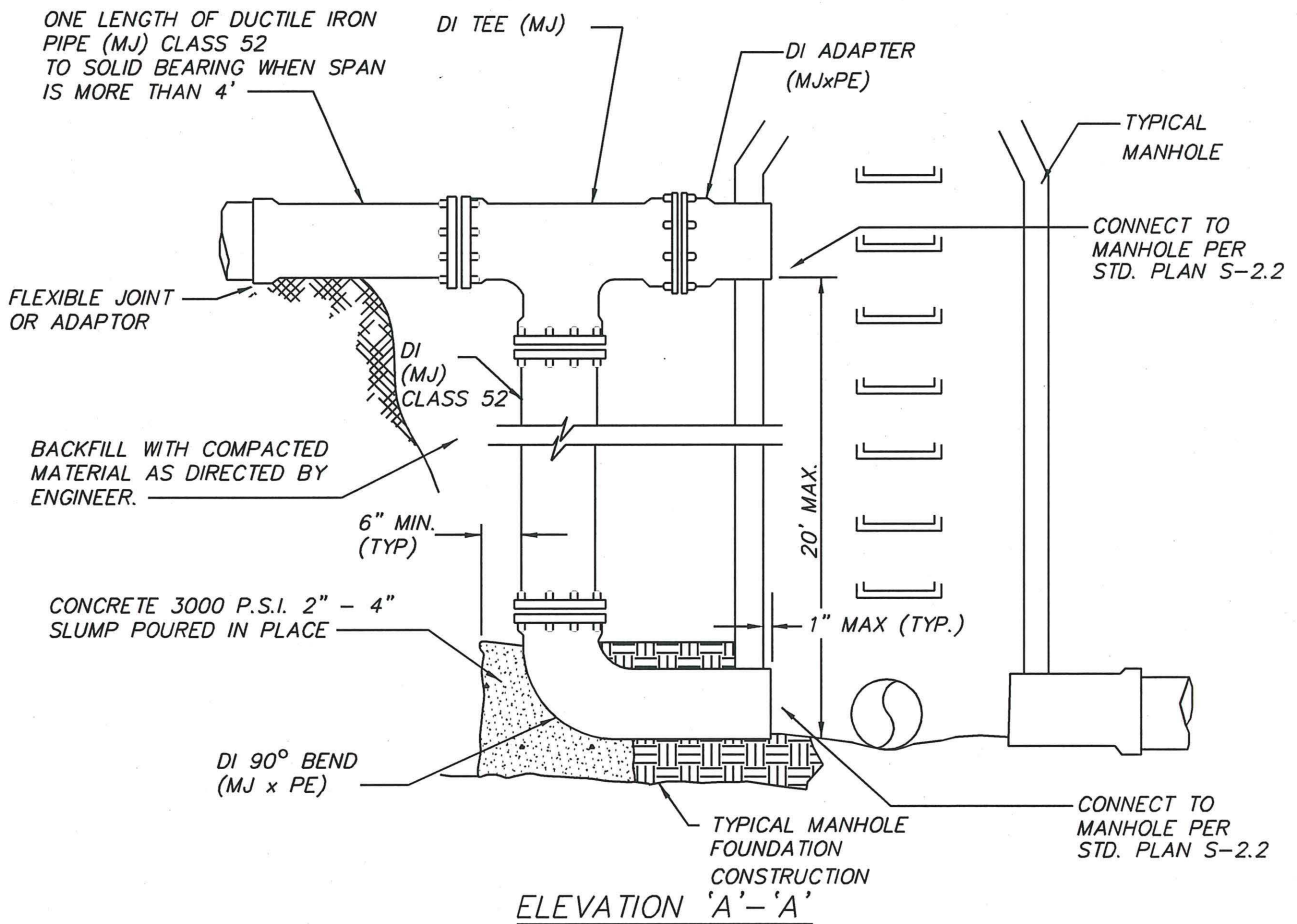


N:\CAD Data\Standard Dwg\Sanitary Sewer Details\SS-2.6\_Outside Drop MH.dwg, 3/28/2007 2:03:01 PM



PROVIDE FOR PIPES <12" WHEN ENTERING MANHOLE >24" ABOVE THE INVERT. PLACE LARGER PIPE AT MANHOLE INVERT.  
\* PIPE TYPE PER PLAN



OUTSIDE DROP MANHOLE CONNECTION

PLAN #



CITY OF BATTLE GROUND APPROVED

*Sanjiv Arora* 3-28-07  
CITY ENGINEER DATE

REVISIONS:	DATE:	DRAWN:	DESIGNED:
1	8/12/98	BSG	GGH
2	8/30/05	ALL	MCH
3	3/28/07	JMH	MCH

SS-2.6