

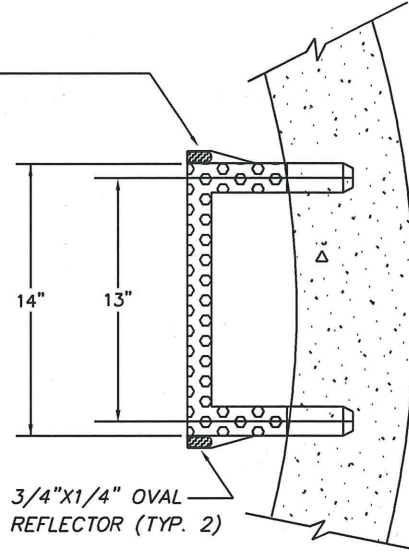
LANE INTERNATIONAL CORPORATION
 POLYPROPYLENE MANHOLE SAFETY
 STEP P-14850 WITH REFLECTORS.

NOTES:

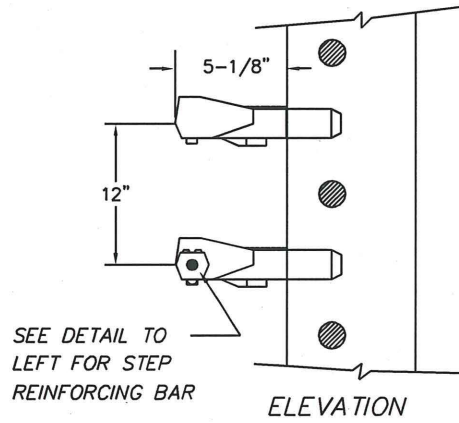
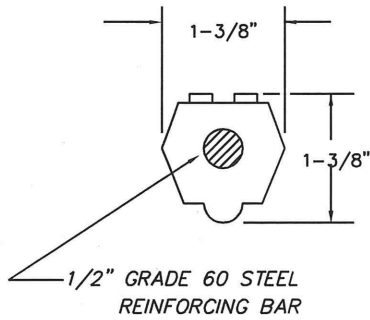
All steps must meet ASTM C-478 and AASHTO M-199 Specifications, polypropylene ASTM D-4104, the 1/2" Grade 60 deformed reinforcing bar ASTM-A--615.

Installation method must resist 1,500 lb. horizontal pull out force and 500 lb. vertical load.

Locate steps over bench whenever possible (not over the main).



PLAN



ELEVATION

STEP DETAIL

PLAN #



CITY OF BATTLE GROUND
 APPROVED

REVISIONS:	DATE:	DRAWN:	DESIGNED:
1	8/12/98	BSG	GGH
2	8/30/05	ALL	MCH
3	3/28/07	JMH	MCH

SS-2.4

[Signature] 3-28-07
 CITY ENGINEER DATE