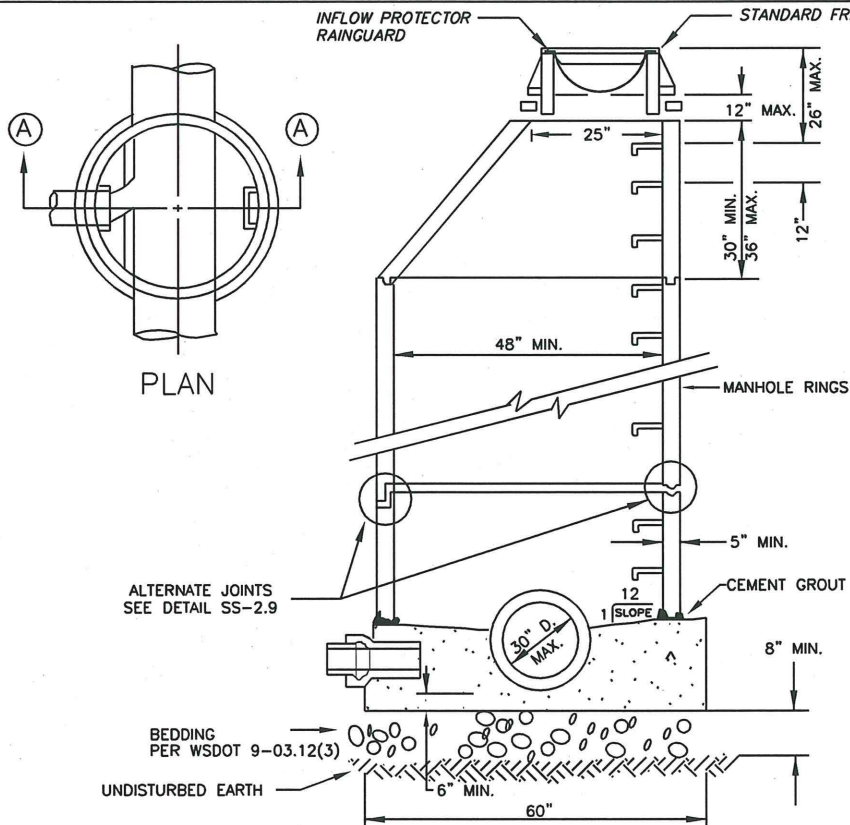
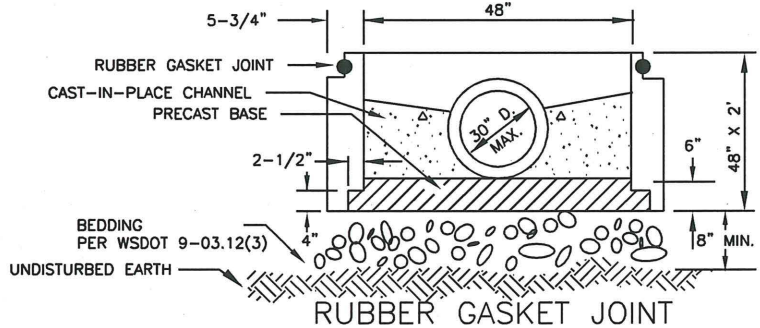


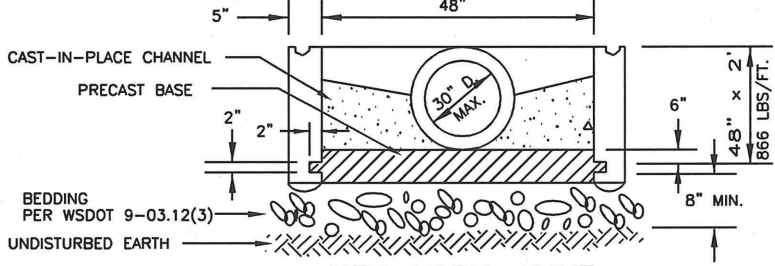
N:\CAD Data\Standard Dwg\Sanitary Sewer Details\SS-2.0_Std Manhole.dwg, 3/28/2007 1:58:18 PM



SECTION A-A CAST IN PLACE BASE



RUBBER GASKET JOINT



KEY-LOCK JOINT PRECAST MANHOLE BASE (ALTERNATE)

NOTES:

1. ALL PRECAST MANHOLE RINGS AND CONES SHALL CONFORM TO ASTM C-478 WITH CAST IN STEPS.
2. IN OVER EXCAVATED AREAS PROVIDE SUPPORT FOR THE PIPE AS FOLLOWS: PLACE 3/4" MINUS CRUSHED ROCK OVER UNDISTURBED GROUND IN 6" LAYERS AND COMPACT USING HAND TAMPER.
3. BASE CONCRETE SHALL BE 3000 P.S.I., 2-4 IN. SLUMP. FLOW LINES AND INSIDE SURFACES SHALL BE TROWLED SMOOTH & UNIFORM AT TIME OF POUR. MANHOLE BASE MAY BE MONOLITHICALLY CAST TO 8" ABOVE BARREL OF MAIN SEWER. CHANNELS SHALL CONFORM ACCURATELY TO SEWER GRADE. INSTALL BENCHES TO ELEVATION OF SPRINGLINE OF PIPE.
4. CAST-IN-PLACE, MONOLITHIC MANHOLE MAY BE SUBSTITUTED WITH SPECIFIC APPROVAL OF THE ENGINEER.
5. JOINTS SHALL BE CONSTRUCTED SO AS TO BE WATERTIGHT. KENT-SEAL NO. 2 OR APPROVED EQUAL SHALL BE USED ON TONGUE & GROOVE SECTIONS, AND ON RISER RINGS. PREMOLDED "O-RING" MAY BE SUBSTITUTED ON BELL & SPIGOT SECTIONS. ALL JOINTS SHALL BE GROUTED WITH PORTLAND CEMENT CONCRETE GROUT & STRUCK EVEN WITH THE WALL.
6. MANHOLES UNDER 6"-0" IN DEPTH FROM RIM TO SHELF SHALL HAVE A TOP SLAB IN LIEU OF CONE. SEE DETAIL SS-2.1
7. ALL SEWER MANHOLES SHALL BE WRAPPED WITH A HEAT SHRINKABLE SLEEVE SYSTEM, WRAPID SEAL OR APPROVED EQUAL.
8. A WATERTIGHT RAINGUARD IS REQUIRED FOR ALL MANHOLE FRAME/COVERS.
9. WHIRLY GIG © MANHOLE RISER COLLAR SYSTEM MAY BE USED IN PLACE OF RISER RING.

STANDARD PRECAST MANHOLE

PLAN #



CITY OF BATTLE GROUND APPROVED

[Signature] 3-28-07
CITY ENGINEER DATE

REVISIONS:	DATE:	DRAWN:	DESIGNED:
1	8/12/98	BSG	GGH
2	8/30/05	ALL	MCH
3	3/28/07	JMH	MCH

SS-2.0