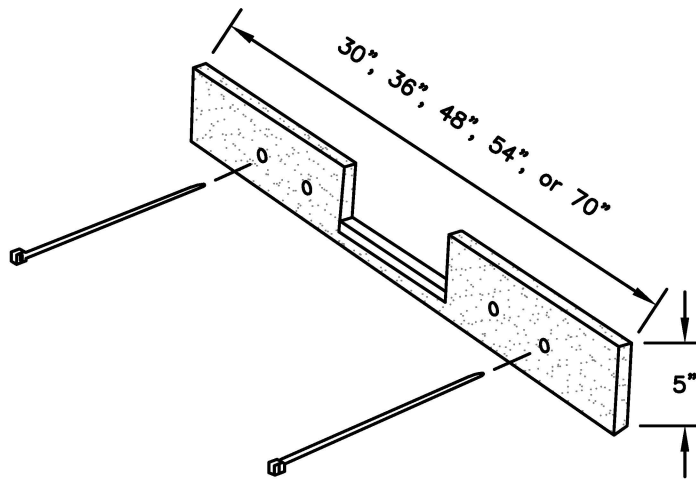


OVERFLOW
SPILLWAY

CURB INLET
SEDIMENT DAM



NOTES:

1. SEDIMENT DAM SHALL BE MADE FROM 100% NON-WOVEN POLYFIBER

N.T.S.

INLET PROTECTION (SEDIMENT DAM)

STANDARD
DETAIL



CITY OF BATTLE GROUND
APPROVED

Mark Heneg

06/11/2018

CITY ENGINEER

DATE

| REVISIONS: | DATE: | DRAWN: | DESIGNED: |
|------------|---------|--------|-----------|
| 1 | 9/15/10 | RMJ | RMJ |
| 2 | 3/07/17 | CAS | KDU |
| | | | |
| | | | |

EC-4.02