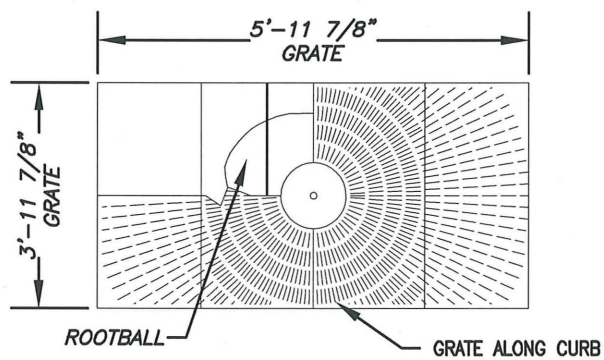
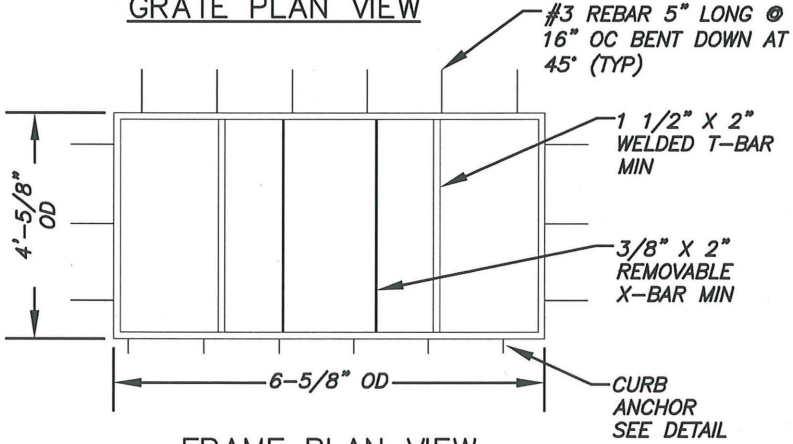


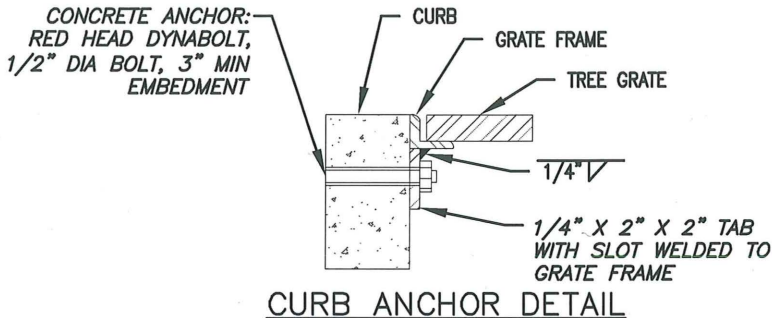
TREEWELL CROSS SECTION



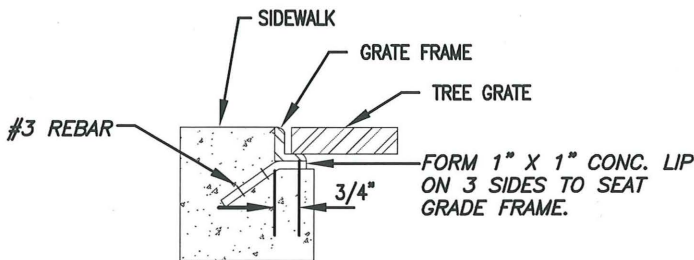
GRATE PLAN VIEW



FRAME PLAN VIEW



CURB ANCHOR DETAIL



SIDEWALK ANCHOR DETAIL

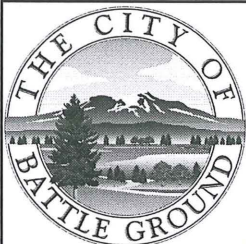
NOTES:

- ① MULCH 3" DEEP. KEEP AWAY FROM TRUNK.
- ② INSTALL ROOT BARRIER WITH 90° ROOT DEFLECTING RIBS 24" DEEP, 1/2" ABOVE GRADE. INSTALL ROOT BARRIER AGAINST CONCRETE SURFACE, AROUND PERIMETER OF TREE WELL WITH RIBS FACING TREE.
- ③ PROVIDE 2 FEET OF COBG SOIL MIX OF 1/3 COMPOSTED ORGANIC MULCH, 1/3 IMPORTED LOAM TOPSOIL AND 1/3 CLEAN NATIVE TOPSOIL.
- ④ REMOVE METAL CAGE OR BURLAP/TWINE FROM ROOT BALL. LOOSEN OR REMOVE GIRDLED ROOTS. SET CROWN 2" ABOVE FINISHED GRADE. PROVIDE POSITIVE DRAINAGE AWAY FROM ROOT BALL.
- ⑤ FORM CONE OF TAMPED SOIL AND PLACE ROOT BALL ON TOP.
- ⑥ 6' MINIMUM CLEARANCE TO FIRST BRANCH.
- ⑦ SCARIFY NATIVE SOIL TO ALLOW FOR ROOT PENETRATION.
- ⑧ MINIMUM 2" CALIPER TREE WITH STRONG CENTRAL LEADER.
- ⑨ CONSTRUCT A MULCH RING BY MOUNDING ADDITIONAL MULCH 3" HIGH BY 4" WIDE APPROXIMATELY 1.5' FROM PLANT. WATER IMMEDIATELY AFTER INSTALLATION AND WITH 5-10 GALLONS PER WEEK THEREAFTER.
- ⑩ 4'X6'X4" GRATE AND FRAME ASSEMBLY URBAN ACCESSORIES KIVA RCT GRATE AND "S" FRAME OR APPROVED EQUAL.

N.T.S.

GRATED TREE PLANTING

PLAN #



CITY OF BATTLE GROUND APPROVED

Scott P. Samps 12-12-11
CITY ENGINEER DATE

REVISIONS:	DATE:	DRAWN:	DESIGNED:
1	9/21/08	CMS	MCH
2	4/7/10	JMH	ME
3	7/20/11	CMS	ME

PL-1.02