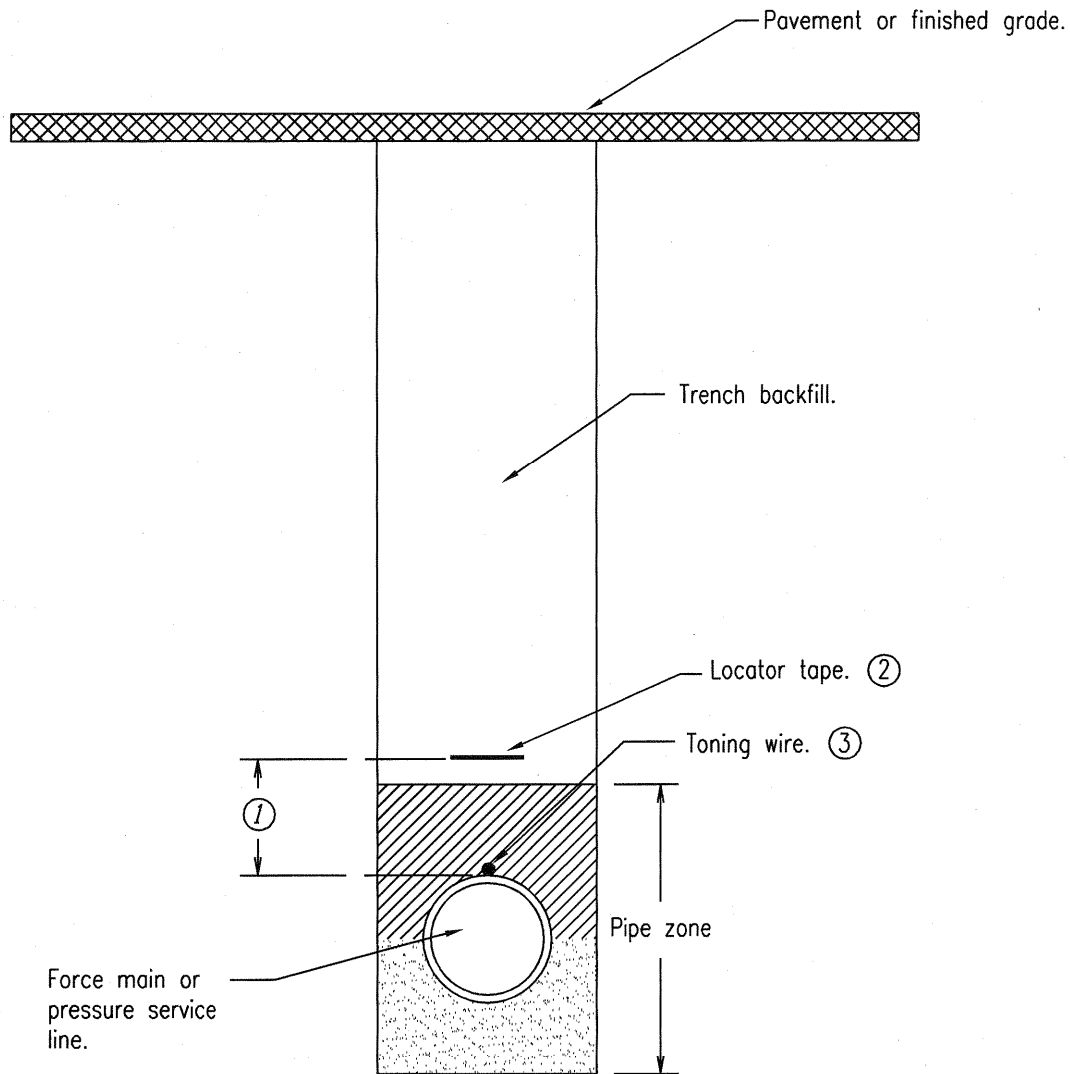


N:\CAD Data\Standard Dwgs\Sanitary Sewer Details\SS-5.3\_Toning Wire.Locate Tape.dwg, 3/28/2007 2:13:06 PM



- ① Locator tape to be located eighteen (18) inches above a force main and twelve (12) inches above a pressure service line.
- ② The locator tape should be marked with continuous three (3) inch wide green six (6) mil thick locator three (3) inch high black letters every three (3) feet with *"Warning-Buried Pressure Sewer"*.
- ③ A continuous toning wire shall be attached to the top of the pressure service line. The toning wire shall be coated #10 AWG solid copper wire. The toning wire shall end in the valve box with a minimum of one (1) foot coil of wire. The toning wire shall be tested for continuity prior to acceptance. All splices will be soldered a minimum of two (2) inches in length and encased with 3M Scotch #220 vinyl mastic pads (3 1/2" by 4 1/2") or 3M Scotch 33 electrical tape and coated with Scotchkote electrical coating #1485 (repeat process after first coating dries), or approved equal.

N.T.S.

TONING WIRE AND LOCATOR TAPE

PLAN #



CITY OF BATTLE GROUND  
APPROVED

*John Adams* 3-28-07  
CITY ENGINEER DATE

REVISIONS:	DATE:	DRAWN:	DESIGNED:
1	3/28/07	JMH	MCH

SS-5.3