

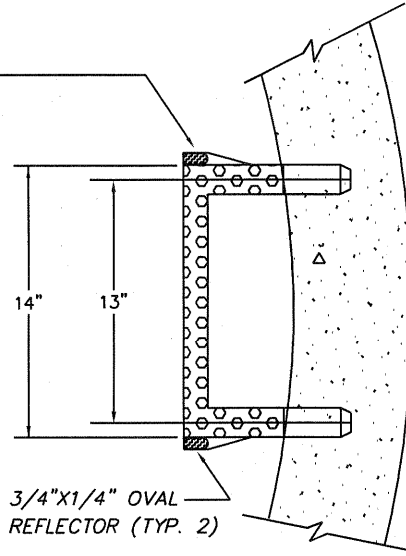
LANE INTERNATIONAL CORPORATION
 POLYPROPYLENE MANHOLE SAFETY
 STEP P-14850 WITH REFLECTORS.

NOTES:

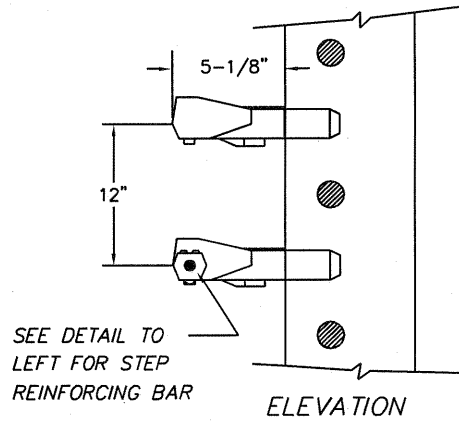
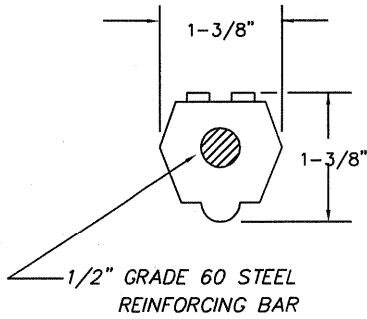
All steps must meet ASTM C-478 and
 AASHTO M-199 Specifications,
 polypropylene ASTM D-4104, the 1/2"
 Grade 60 deformed reinforcing bar
 ASTM-A--615.

Installation method must resist 1,500
 lb. horizontal pull out force and 500 lb.
 vertical load.

Locate steps over bench whenever
 possible (not over the main).



PLAN



ELEVATION

STEP DETAIL

PLAN #



CITY OF BATTLE GROUND
 APPROVED

[Signature] 3-28-07
 CITY ENGINEER DATE

REVISIONS:	DATE:	DRAWN:	DESIGNED:
1	8/12/98	BSG	GGH
2	8/30/05	ALL	MCH
3	3/28/07	JMH	MCH

SS-2.4